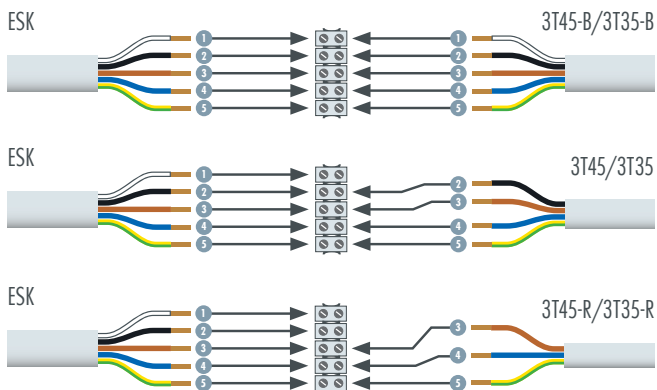


Connection ESK to shutter motor:

Connect the adjustment cable to the motor cable with connecting terminals. Connect the individual wires with the same cable colour. Secure unused individual wires of the adjustment cable with a connecting clamp.

- For motor type 3T45-B/3T35-B, connect all cables together.
- For motor type 3T45/3T35, the programming cable (white) is not occupied.
- With motor type 3T45-R/3T35-R, the programming cable (white) and down or up (black) are not assigned.



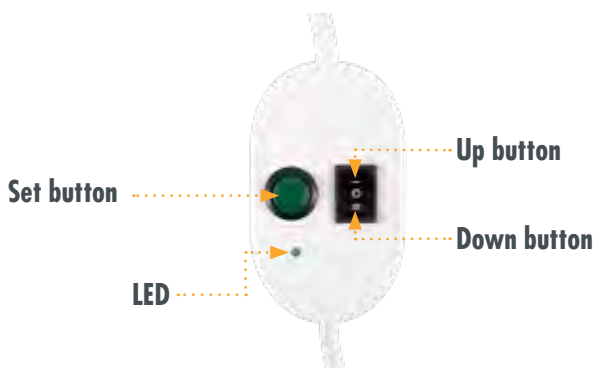
- 1) white = programming cable (only motor type 3T45-B/3T35-B)
- 2) black = up or down / 3) brown = up or down, L1/phase
- 4) blue = N Neutral conductor / 5) green/yellow = PE Protective conductor

Change the direction of rotation of the motor:

To change the direction of rotation, swap the up and down leads (brown and black cable) on the adjustment cable.

The direction of rotation of the 3T45-R and 3T35-R radio motors can only be changed via the radio hand-held transmitter.

Functional overview of the adjustment cable:



Buttons & Function

Up button: Controls the motor upwards / Down button: Controls the motor downwards / Set button: Save end positions (only for motor type 3T45-B /3T35-B) / ● LED lights up continuously: Power supply active

Motor type 3T45-B/3T35-B:

With the ESK adjustment cable, the end points of motor types 3T45-B and 3T35-B can be adjusted and, if necessary, changed later without having to open the roller shutter box.

Setting lower end point

- Do not fasten roller shutter armor > Fig. 1.1
- Set the switch of the adjustment cable to „DOWN“ > Fig. 1.2
- Run tubular motor in downward direction and define end point by pressing the green set button (motor stops) > Fig. 1.3
- If the shaft has to be turned a little to hook in the suspension springs, press the set button. This causes the motor to turn the shaft step by step.



Setting upper end point

- Hang the roller shutter curtain with suspension springs on the roller shutter shaft > Fig. 1.4
- Set the adjustment cable to „UP“ > Fig. 1.5
- Run the motor with the roller shutter in the upward direction. When the end point is reached, stop the motor by pressing the green set button. > Fig. 1.6
- Readjustment is possible by further pressing the set button

Motor type 3T45/3T35:

The ESK adjustment cable is used with motor types 3T45 and 3T35 as an installation aid for up/down travel if, for example, a switch has not yet been installed. The adjustment cable is connected to the existing motor cable.

Motor type 3T45-R/3T35-R:

The ESK adjustment cable serves as a temporary power supply for motor types 3T45-R and 3T35-R if, for example, no mains connection cable has yet been laid.